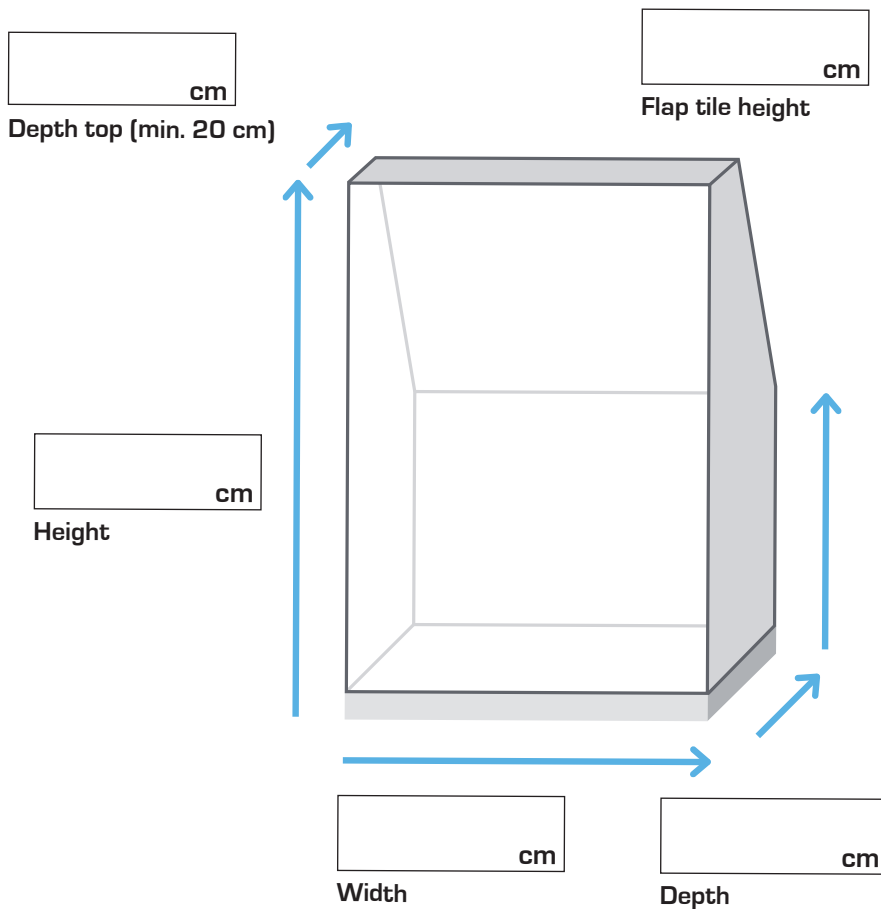


## Measuring instructions: Cupboard with slope at rear

### Step 1:

Enter the measurements (cm) into the relevant boxes:



### Resources required:

**Tape measure** or **stick**, **pencil** and the printed **measuring instructions**

### How to measure correctly:

Measure the height and width at several locations, in each case taking the smallest measurement.

### Final top edge to the rear:

So that the back top edge matches the slope, the back slope should be somewhat steeper than the wall's slope. To be clear draw the rear slope angle on the wall with the pencil.

### "Space" for problem-free assembly:

Your cupboard must be at least **3 cm lower** and **4 cm narrower** than the room or niche. The distance to the sloping ceiling must be **3 cm**.

### Deeper due to doors:

The depth measurement refers to the body, if you are planning doors the cupboard depth increases **by 2 cm**.

### Step 2:

After measuring you can quickly and easily enter the data in the cupboard configurator at [www.cupboardyourway.co.uk/design-yours](http://www.cupboardyourway.co.uk/design-yours).

### Do you need help?

Please contact our team if you have **any questions!**

You can quickly and easily reach us by email, via the website or by phone.

Email: [service@cupboardyourway.co.uk](mailto:service@cupboardyourway.co.uk)

Contact form: [www.cupboardyourway.co.uk/contact](http://www.cupboardyourway.co.uk/contact)

Phone: [0049 2234 8980420](tel:004922348980420)