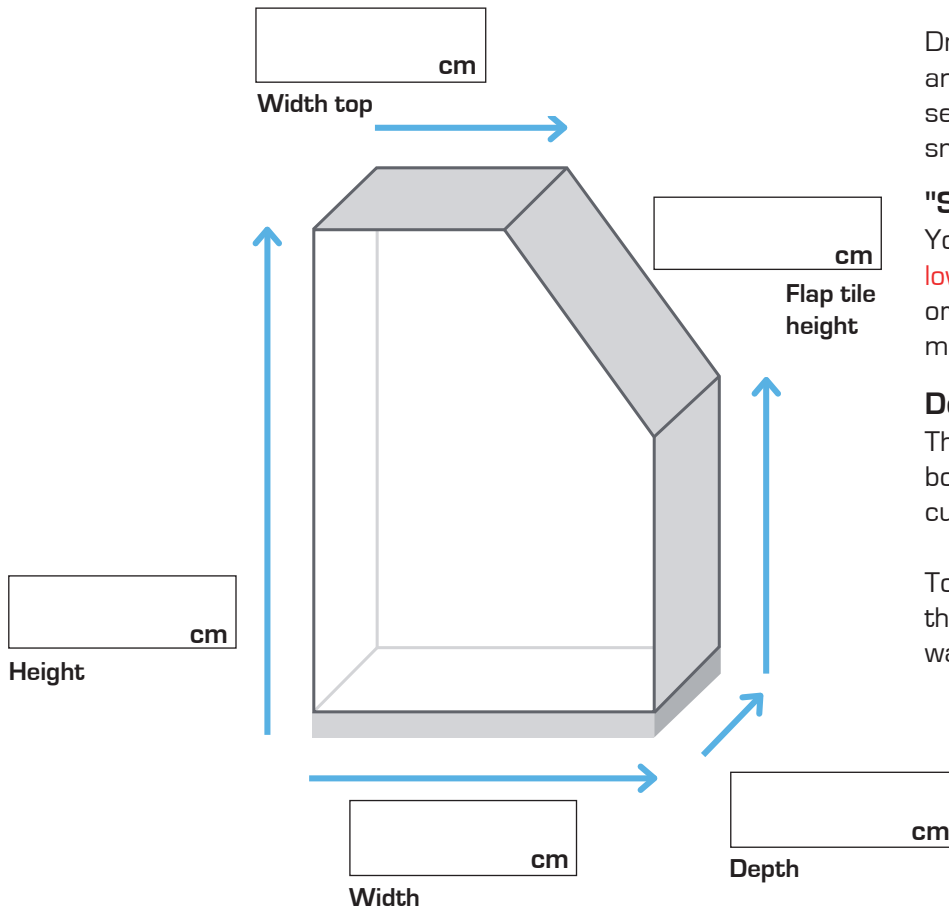


## Measuring instructions: Cupboard with slope on right

### Step 1:

Enter the measurements (cm) into the relevant boxes:



### Resources required:

**Tape measure** or **stick**, **pencil** and the printed **measuring instructions**

### How to measure correctly:

Draw the cupboard 1:1 on the back wall and measure the height and width at several locations, in each case taking the smallest measurement.

### "Space" for problem-free assembly:

Your cupboard must be at least **3 cm lower** and **4 cm narrower** than the room or niche. The distance to the sloping ceiling must be **3 cm**.

### Deeper due to doors:

The depth measurement refers to the body, if you are planning doors the cupboard depth increases by **2 cm**.

To be clear draw the cupboard's shape on the wall with a pencil. You can protect the wall with protective tape.

### Step 2:

After measuring you can quickly and easily enter the data in the cupboard configurator at [www.cupboardyourway.co.uk/design-yours](http://www.cupboardyourway.co.uk/design-yours).

### Do you need help?

Please contact our team if you have **any questions!**

You can quickly and easily reach us by email, via the website or by phone.

Email: [service@cupboardyourway.co.uk](mailto:service@cupboardyourway.co.uk)

Contact form: [www.cupboardyourway.co.uk/contact](http://www.cupboardyourway.co.uk/contact)

Phone: [0049 2234 8980420](tel:004922348980420)